

- o Flat Cable Connectors SEK
- o *har-mik®*
- o D-Sub
- o InduCom

➔ Applications



Product details

09 21 025 3101

Female insert, Han 25 D

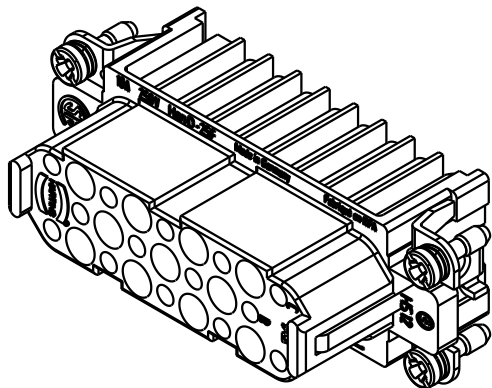
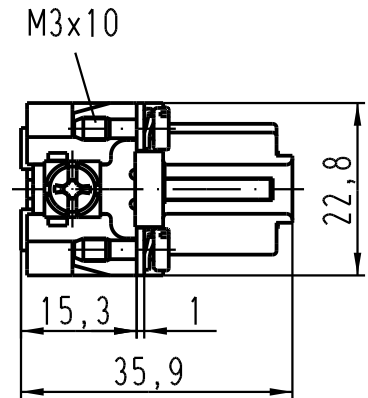
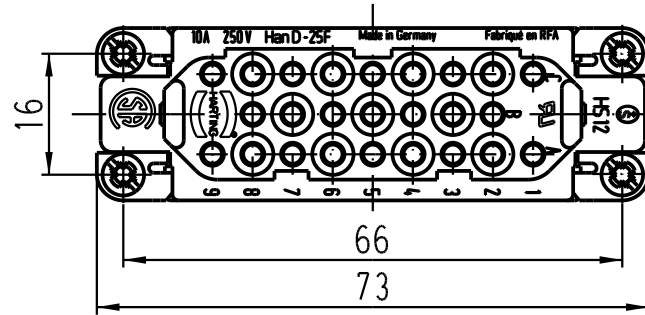
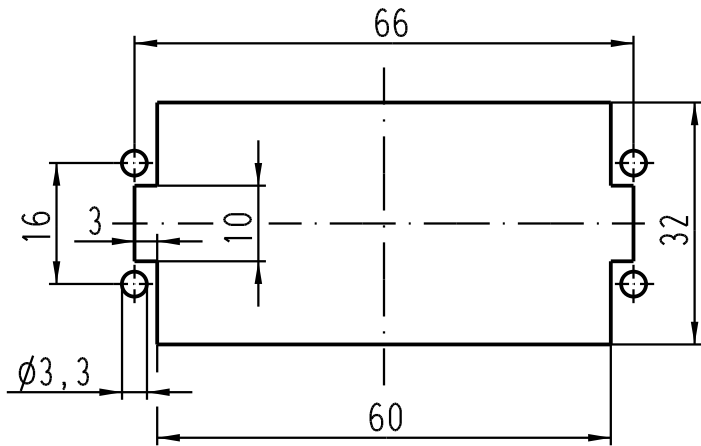
Series	Han D®, Han D® AV
Number of contacts	25 poles + PE
Size of hood/ housing	Han® 16 A
Termination	Crimp termination
Insert material	Standard material
Contacts	Order separately
Electrical data	10 A 250 V 4 kV 3
RoHS compliant	Yes

Available Downloads

Title	Format	
Data sheet	PDF	↕ download
CAD data 2D	DXF	↕ download
CAD data 3D	IGES	↕ download
CAD data 3D	STEP	↕ download

Inquiry

Montageausschnitt/
panel cut out



All Dimensions in mm Original Size DIN A 4			Techn. Character.			Nicht tolerierte Masse / Free size tolerances			
				Dat.	Name	Massstab / Scale			
			Detail.	12.04.99	KR	1 : 1			
			Insp.		SDT.				
411417	18.01.05	Loe.	Stand.			Han 25D-F-c Buchsenträger / female insert			
410526	18.07.03	Ho							
25626									
Mod.	Dat.	Name	HARTING Electric GmbH & Co. KG D-32339 Espelkamp						
						TB 09 21 025 3101			Blatt / page
						Sub. TB 09 21 0.. 3101 Bl.1/2 v. 01.03.93			